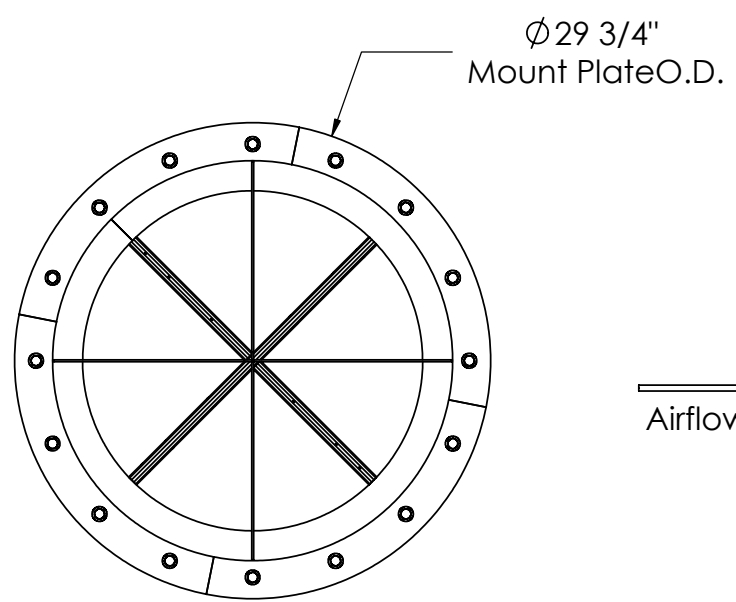
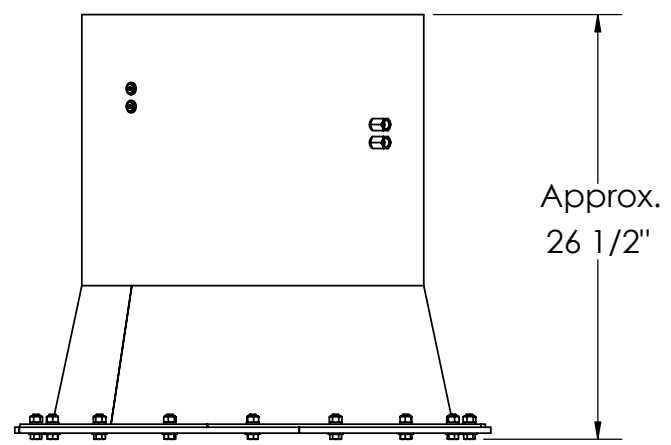


THE INFORMATION CONTAINED IN THIS DRAWING IS THE SOLE PROPERTY OF EASTERN INSTRUMENTS ANY REPRODUCTION IN PART OR WHOLE WITHOUT THE WRITTEN PERMISSION OF EASTERN INSTRUMENTS IS PROHIBITED.

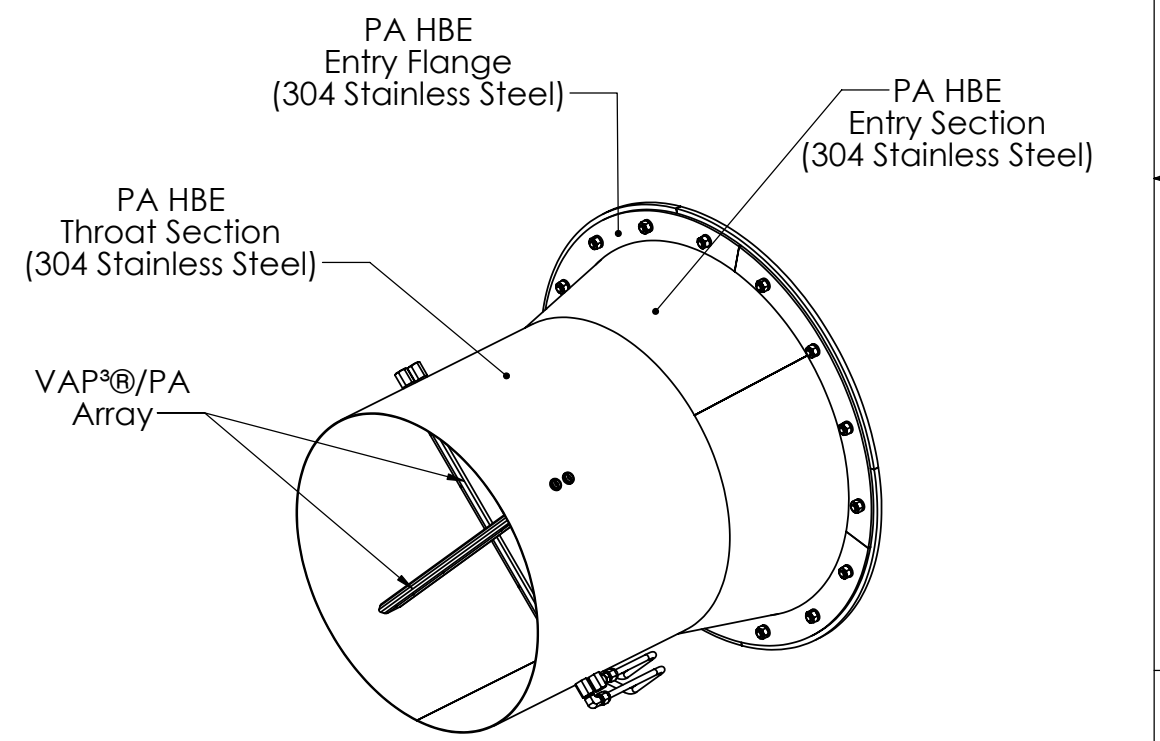
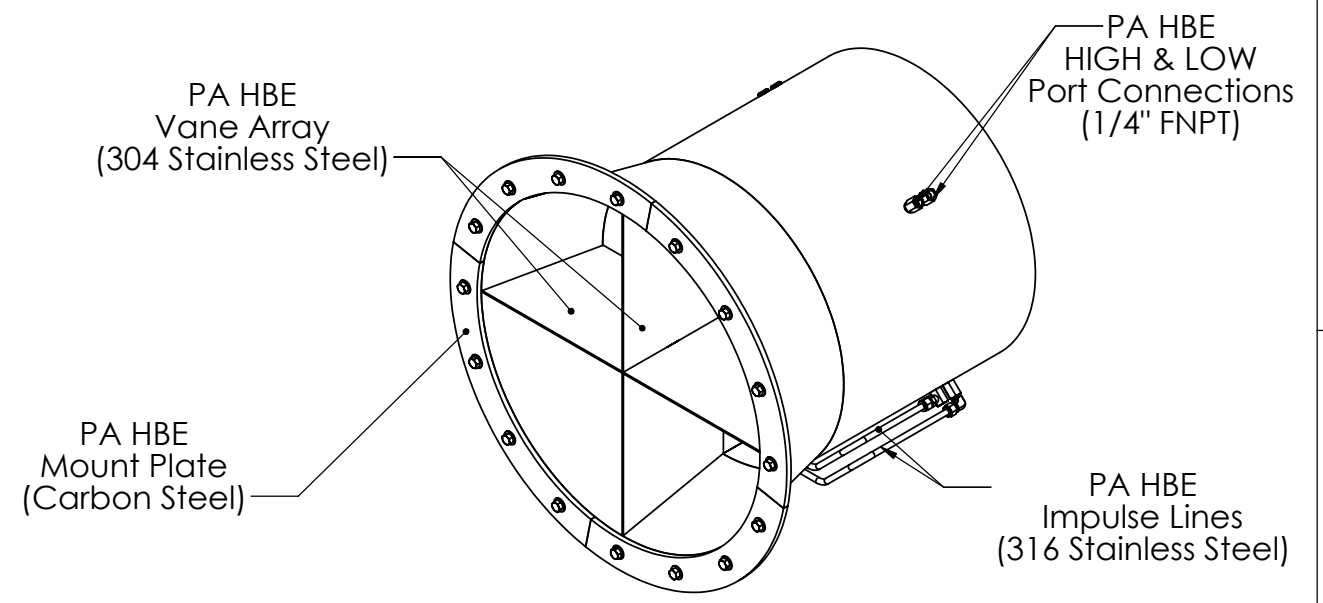
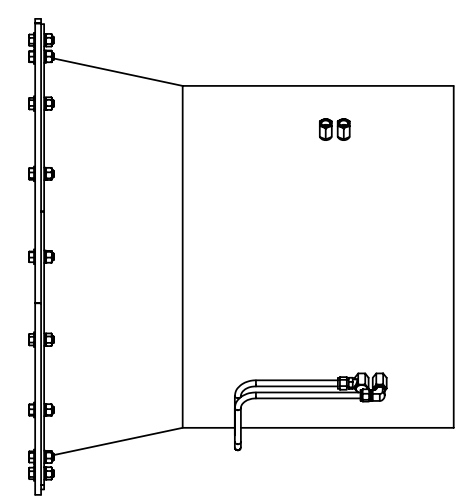
Single High Beta Engineered (HBE) Overview

Shown with existing duct section removed for clarity

REVISIONS			
REV.	DESCRIPTION	DATE	DRAWN BY



Airflow Direction →



UNLESS OTHERWISE SPECIFIED DIMENSIONS ARE IN IN [MM] TOLERANCES ARE: Decimal : +/- 0.005 [.13] Fractional : +/- 1/32 [.80] Angular : +/- 1/4°	CAD GENERATED DRAWING, DO NOT MANUALLY UPDATE		EASTERN INSTRUMENTS	
	APPROVALS	DATE	416 Landmark Drive Wilmington, NC 28412 USA sales@easterninstruments.com www.easterninstruments.com	
MATERIAL Noted	DRAWN	bjb	12/07/04	High Beta Engineered Single HBE Project HBE Sensor Installation Overview Overview Drawing
	CHECKED			
FINISH 32µin [0.8µm]	ENG CHK			Single HBE Overview
DO NOT SCALE DRAWING	MFG CHK			
	PROD CHK			SCALE: 1:12
				CAD FILE: .pdf
				SHEET 1 of 1