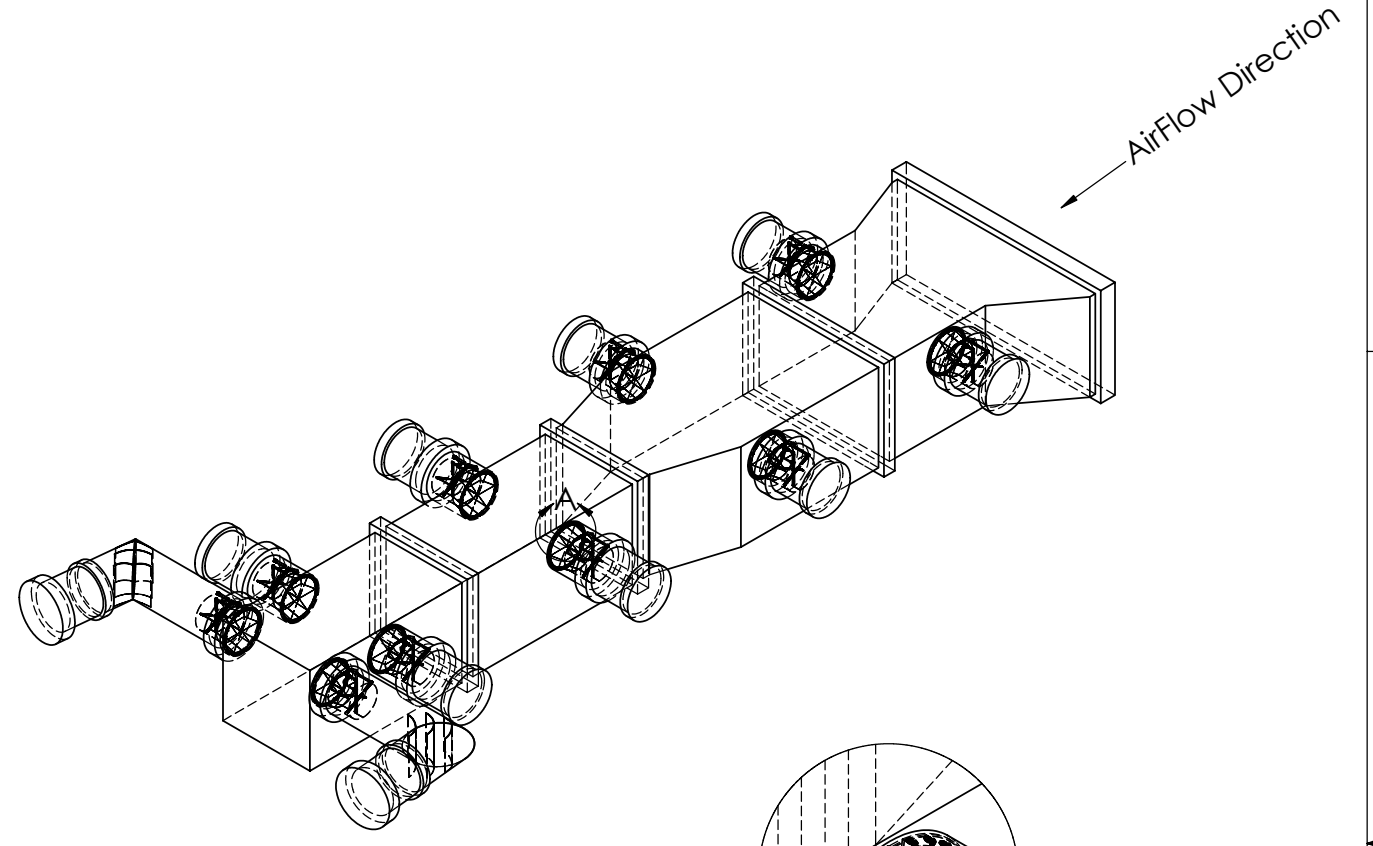
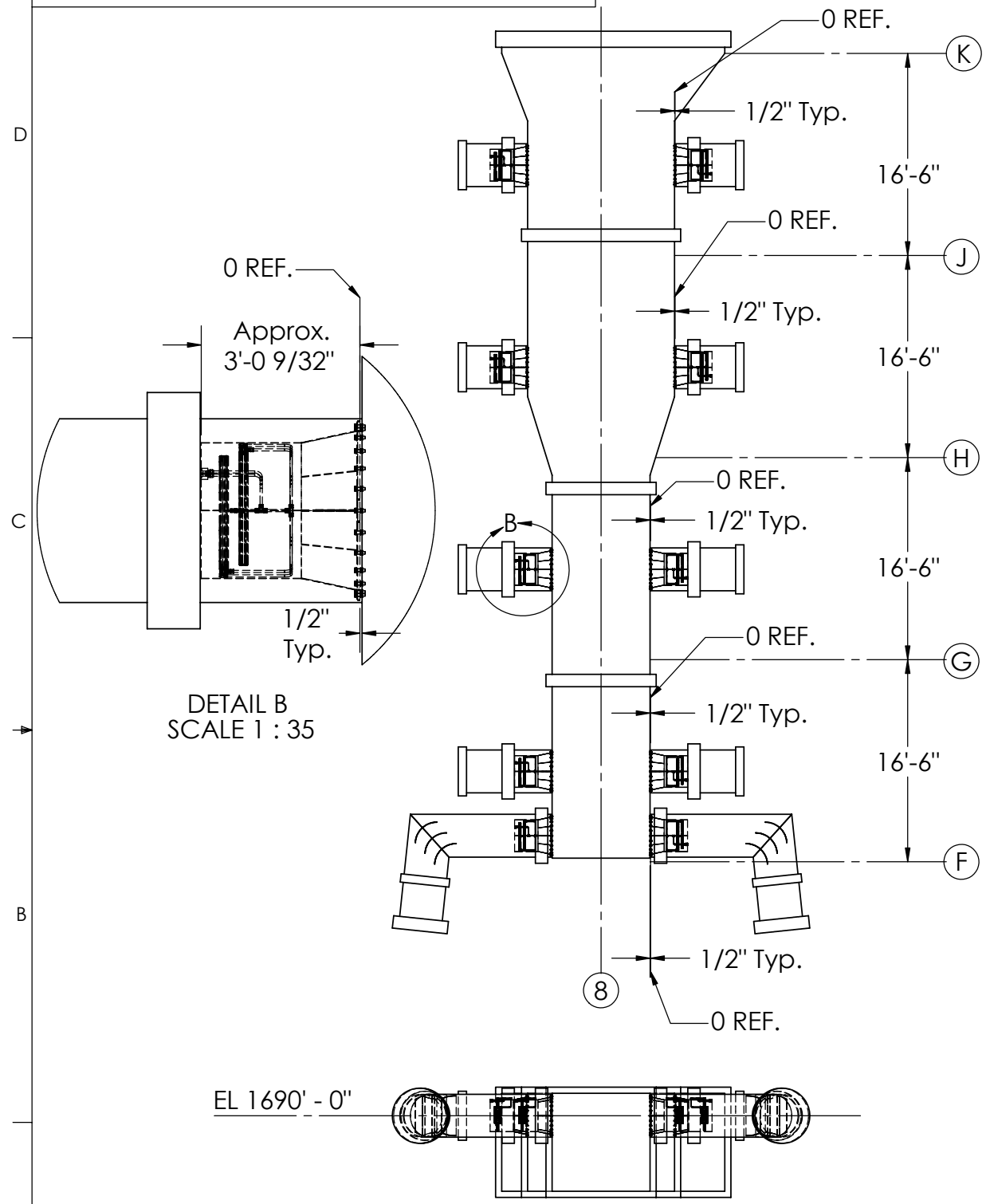


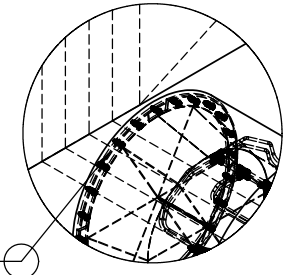
THE INFORMATION CONTAINED IN THIS DRAWING IS THE SOLE PROPERTY OF EASTERN INSTRUMENTS ANY REPRODUCTION IN PART OR WHOLE WITHOUT THE WRITTEN PERMISSION OF EASTERN INSTRUMENTS IS PROHIBITED.

Single High Beta Engineered (HBE) Installed

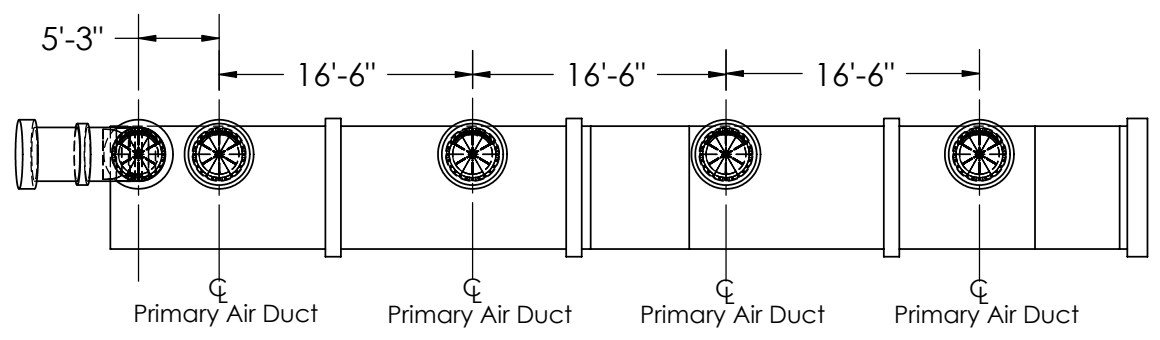
REVISIONS			
REV.	DESCRIPTION	DATE	DRAWN BY



HBE - PA Mount Plate to the I.D. of the Primary Air Duct (Typical)



DETAIL A
SCALE 1 : 35



UNLESS OTHERWISE SPECIFIED DIMENSIONS ARE IN IN (MM) TOLERANCES ARE: Decimal : +/- 0.005 [.13] Fractional : +/- 1/32 [.80] Angular : +/- 1/4°	CAD GENERATED DRAWING, DO NOT MANUALLY UPDATE		EASTERN INSTRUMENTS 416 Landmark Drive Wilmington, NC 28412 USA sales@easterninstruments.com www.easterninstruments.com
	APPROVALS	DATE	
	DRAWN	08/17/04	
	CHECKED		
MATERIAL	Noted	ENG CHK	High Beta Engineered Single HBE Project Primary Air HBE Installed Location Drawing
FINISH	32µin [0.8µm]	MFG CHK	QTY REQD NA
DO NOT SCALE DRAWING	PROD CHK		REV. 1
SCALE: 1:150		CAD FILE: .pdf	SHEET 1 of 1